



Fall Protection

Introducing the  
3M™ DBI-SALA® Flexiguard™  
Modular Jib System.

# The next level of jib versatility.



Complies with

**OSHA 1962.502 | OSHA 1910.140 | EN795.2012 | CEN/TS 16415:2013**

For use in Canada, please review applicable provincial regulations.

# M100 & M200

Exceptional configuration compatibility.

Improved transportability.

## Helps you work safely.

Get the coverage you need with this versatile new fall protection system. Available in both the M100 and M200 Series, the 3M™ DBI-SALA® Flexiguard™ Modular Jib System features a simplified design that enhances worker safety in multiple applications. Increased rail-length configurations improve working coverage while a new design facilitates easier system transport.

## More Versatility

New modular product offering provides

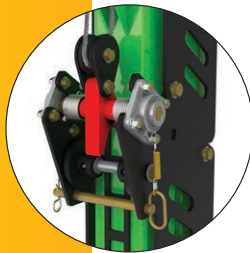
**80** unique application solutions



- ▶ Extruded aluminum overhead horizontal rail for SRL trolley
- ▶ Stainless steel anchor trolley
- ▶ Dual by-passing rails (two user models)

### Rescue Ready

- ▶ Equip the optional rescue mounting kit for a turnkey rescue plan or confined space retrieval device
- ▶ Rescue kits available for M100 & M200 models



### Patent Pending Fail-Safe Mast Lock

- ▶ Eliminates need for height-locking fasteners like pins and bolts
- ▶ Automatic safety lock engages to prevent uncontrolled mast movement if primary lifting mechanism fails
- ▶ Flip up rotation handle
- ▶ Improve productivity with the optional power assisted device. When equipped, it adjusts height four times faster than the manual adjustment of previous 3M models



- ▶ Rotating mast up to 360 degrees (most models)
- ▶ 3M™ Safety-Walk Slip Resistant walking surface (counterweight bases)

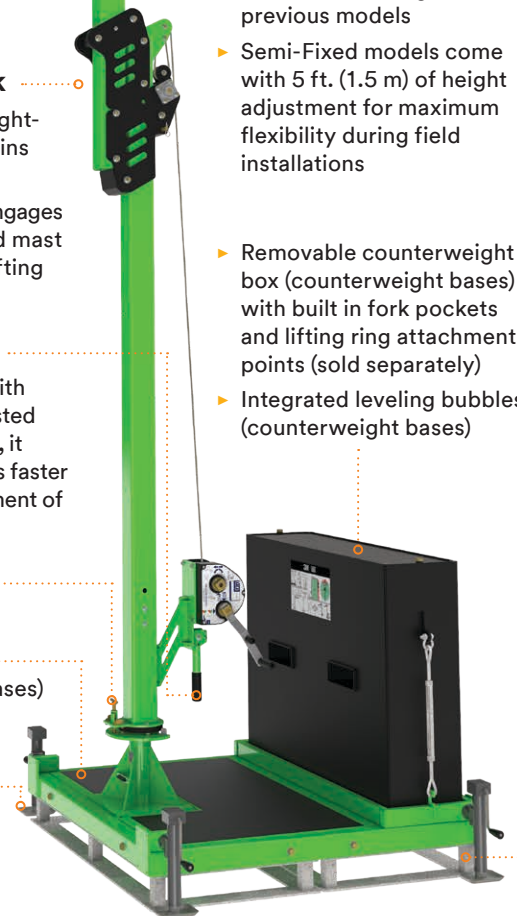
### Powder Coated and Galvanized Components

### Extended Reach

- ▶ New M200 version offers improved reach on 15 ft. (4.6 m) configurations enabling up to 10 ft. (3.5 m) more reach than previous models

### Increased Height

- ▶ Improved maximum height for 30 ft. (9.1 m) models enables up to 5 ft. (1.5 m) more vertical height versus previous models
- ▶ Semi-Fixed models come with 5 ft. (1.5 m) of height adjustment for maximum flexibility during field installations
- ▶ Removable counterweight box (counterweight bases) with built in fork pockets and lifting ring attachment points (sold separately)
- ▶ Integrated leveling bubbles (counterweight bases)

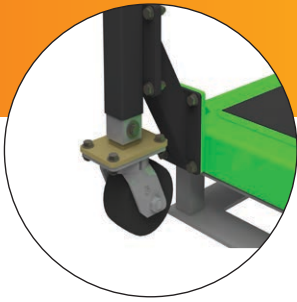


- ▶ Open multi-directional base designed to accommodate a wide array of fork shapes and sizes

# Easier Transport

Patent-pending weight distribution simplifies transport using 5,000 lb.-rated (2,268 kg) forklift for all counterweight models

Navigate indoor smooth surface spaces with optional caster wheel kit



## M100 Systems

- ▶ Can be transported in one piece with a 5,000 lb. (2,268 kg) forklift



### M100 System weights:

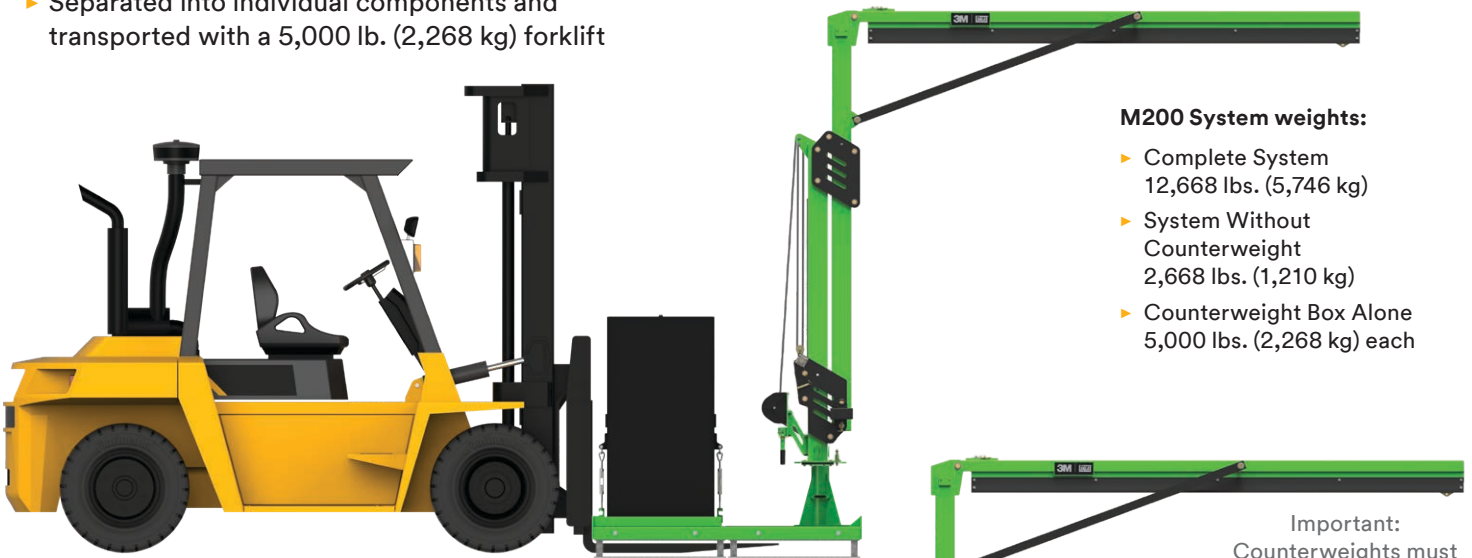
- ▶ Complete System 4,995 lbs. (2,266 kg)
- ▶ System Without Counterweight 1,900 lbs. (861 kg)
- ▶ Counterweight Box Alone 3,095 lbs. (1,404 kg)

## M200 Systems

- ▶ Can be transported in one piece with a large lift

OR

- ▶ Separated into individual components and transported with a 5,000 lb. (2,268 kg) forklift



### M200 System weights:

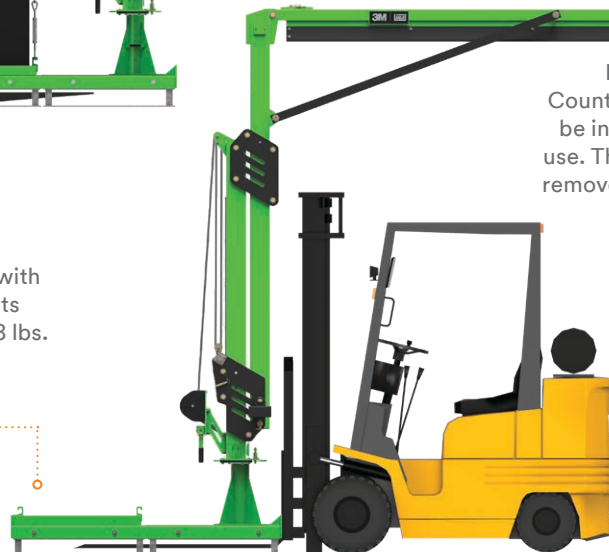
- ▶ Complete System 12,668 lbs. (5,746 kg)
- ▶ System Without Counterweight 2,668 lbs. (1,210 kg)
- ▶ Counterweight Box Alone 5,000 lbs. (2,268 kg) each

Important: Counterweights must be installed prior to use. They shall only be removed for transport.

Counterweight box alone = 5,000 lbs. (2,268 kg) (two boxes total)

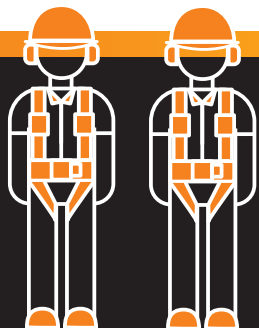
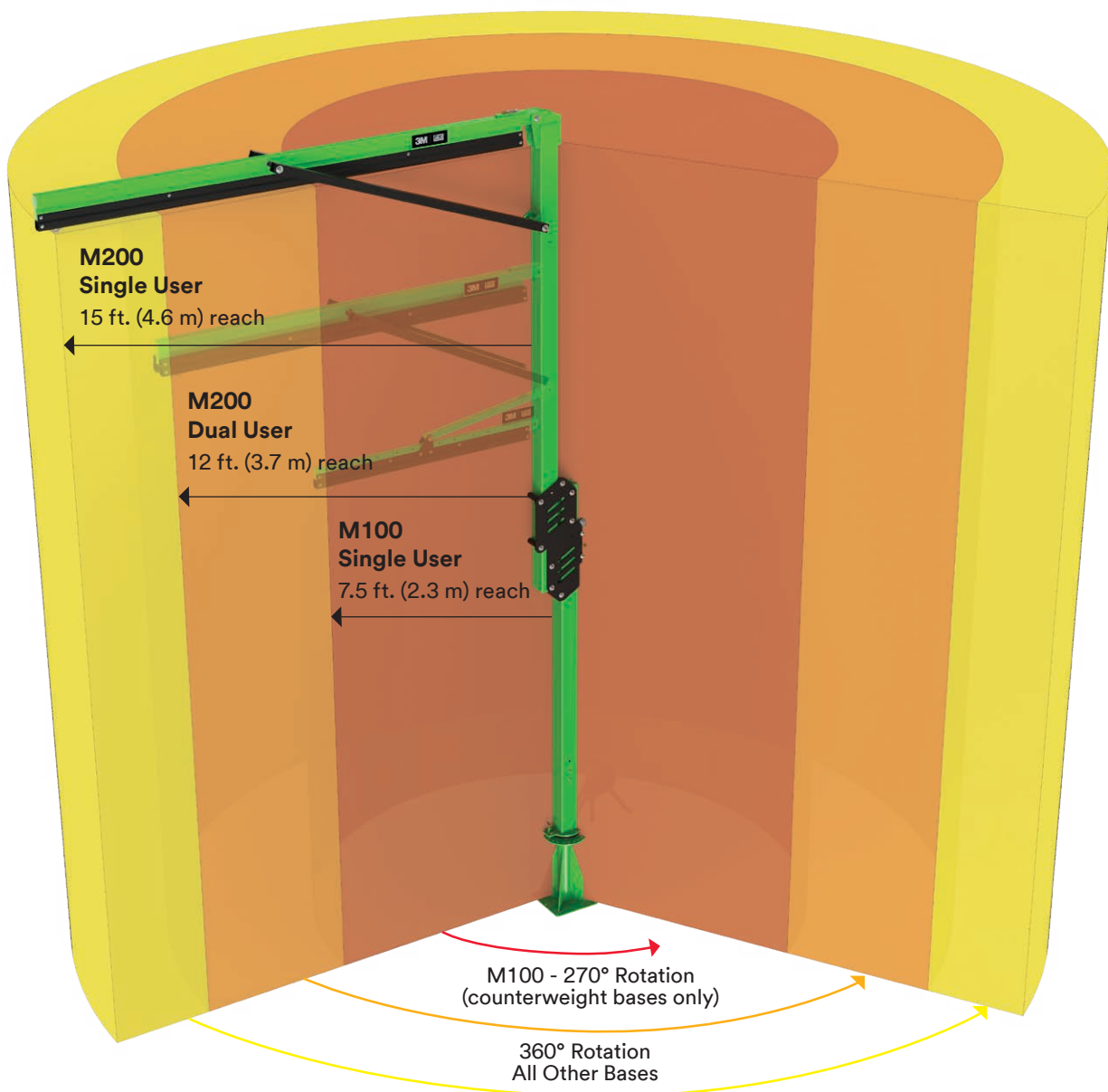


System weight with counterweights removed = 2,668 lbs. (1,210 kg)



# Enhanced Safety Working Area

- ▶ Extended rail-lengths increase safe working area coverage
- ▶ Reduces risk of potential swing fall hazards—worker and safety manager can visually verify the straight vertical boundary
- ▶ Simplifies fall clearance requirements



## Dual User Rated

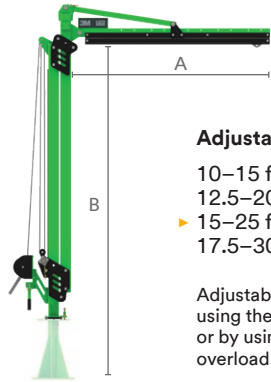
Select M200 Models Only

- ▶ Helps increase worksite efficiency and safety for multiple workers
- ▶ Provides additional working coverage compared to previous 3M models
- ▶ Dual user systems contain two independent by-passing horizontal rails rated for one worker each

# M100 Modular Jib Systems

Model	Total System Weight	Max. Component Weight	Offset/Reach (A)	Height (B)	Mast Rotation Range	Max. Number of Users	SRL Maximum Arresting Force
M100	4,995 lbs (2,266 kg)	3,095 lbs. (1,404 kg)	7.5 ft. (2.3 m)	Up to 30 ft. (9.1 m)	270° with counterweight base. 360° with others.	1	1,350 lbs. (6 kN)

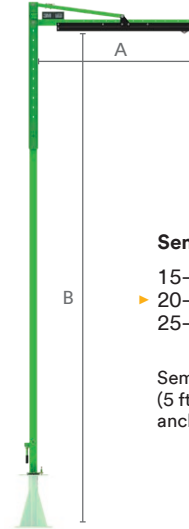
## 1. Choose from 6 interchangeable mast options.



### Adjustable Height, Single User Masts

- 10–15 ft. (3–4.6 m) **8530874**
- 12.5–20 ft. (3.8–6.1 m) **8530875**
- ▶ 15–25 ft. (4.6–7.6 m) **8530876**
- 17.5–30 ft. (5.3–9.1 m) **8530877**

Adjustable height masts are adjusted easily using the integrated hand crank winch, or by using a power drill with the optional overload clutch accessory equipped.



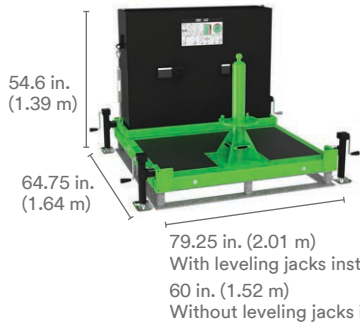
### Semi-Fixed Height, Single User Masts

- 15–20 ft. (4.6–6 m) **8530882**
- ▶ 20–25 ft. (6–7.6 m) **8530883**
- 25–30 ft. (7.6–9.1 m) **8530884**

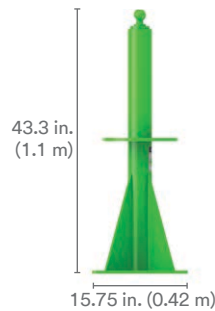
Semi-fixed masts offer a small amount (5 ft. or 1.5 m) of adjustment to optimize the anchor height during installation.

● = Model shown

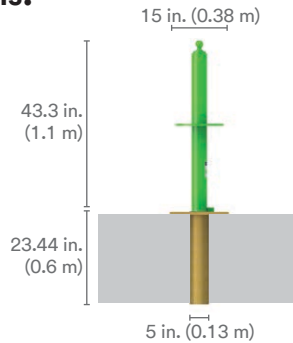
## 2. Choose from 5 interchangeable base options.



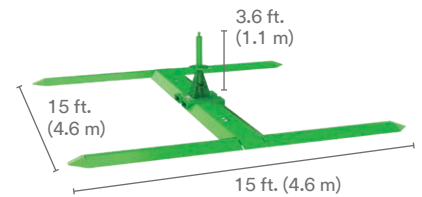
Portable Counterweight Base\*  
With concrete fill **8530870**  
Without concrete **8530869**



Floor Mounted Base  
**8530871**



Flush Mounted Base  
**8530872**



Outrigger Base  
**8530873**

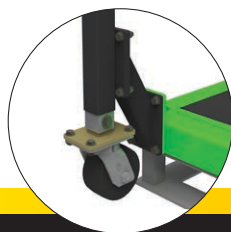
\*Portable Counterweight Base includes leveling jacks

## 3. Choose your accessories.



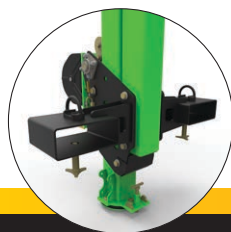
Confined Space & Rescue Pulley Kit  
**8530885**

Enables a rescue device to be mounted to the system. Includes mounting brackets and re-direct pulleys. Rescue devices sold separately.



Smooth Surface Caster Kit  
**8530908**

Allows counterweight base systems to be maneuvered into tight spaces on smooth surfaces.



Forklift Pocket Mast Transport Kit  
**8530911**

Allows mast to be separated from the base and transported vertically using a forklift.



Overload Clutch  
**8512936**

Required to raise and lower adjustable masts with a power drill. (Drill not included)



Counterweight Box Lifting Ring Kit  
**8530914**

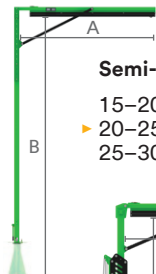
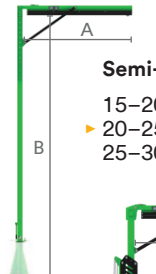


Allows counterweight box to be moved with overhead lifting equipment. Includes two rings per kit. One kit needed per counterweight system.

# M200 Modular Jib Systems

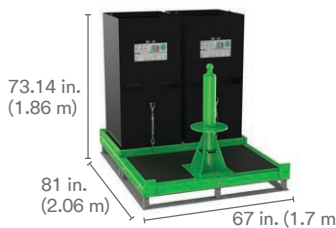
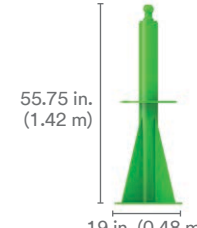
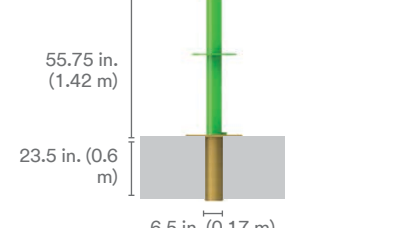
Model	Total System Weight	Max. Component Weight	Offset/Reach (A)	Height (B)	Mast Rotation Range	Number of Users	SRL Maximum Arresting Force
M200	12,668 lbs. (5,746 kg)	5,000 lbs. (2,268 kg)	15 ft. (4.6 m) Single User Models 12 ft. (3.7 m) Dual User Models	Up to 30 ft. (9.1 m)	360° for all bases.	1 or 2 depending on model.	1,350 lbs. (6 kN)

## 1. Choose from 14 interchangeable mast options.

● = Model shown

 <p><b>Semi-Fixed Height, Single User Masts</b></p> <ul style="list-style-type: none"> <li>15–20 ft. (4.6–6 m) <b>8530899</b></li> <li>▶ 20–25 ft. (6–7.6 m) <b>8530900</b></li> <li>25–30 ft. (7.6–9.1 m) <b>8530901</b></li> </ul>	 <p><b>Semi-Fixed Height, Dual User Masts</b></p> <ul style="list-style-type: none"> <li>15–20 ft. (4.6–6 m) <b>8530902</b></li> <li>▶ 20–25 ft. (6–7.6 m) <b>8530903</b></li> <li>25–30 ft. (7.6–9.1 m) <b>8530904</b></li> </ul>	<p>Semi-fixed masts have a small amount (5 ft. or 1.5 m) of adjustment to optimize the anchor height during installation.</p>
 <p><b>Adjustable Height, Single User Masts</b></p> <ul style="list-style-type: none"> <li>12.3–15 ft. (3.8–4.6 m) <b>8530891</b></li> <li>14.8–20 ft. (4.5–6.1 m) <b>8530892</b></li> <li>▶ 17.3–25 ft. (5.3–7.6 m) <b>8530893</b></li> <li>19.8–30 ft. (6–9.1 m) <b>8530894</b></li> </ul>	 <p><b>Adjustable Height, Dual User Masts</b></p> <ul style="list-style-type: none"> <li>12.3–15 ft. (3.8–4.6 m) <b>8530895</b></li> <li>14.8–20 ft. (4.5–6.1 m) <b>8530896</b></li> <li>▶ 17.3–25 ft. (5.3–7.6 m) <b>8530897</b></li> <li>19.8–30 ft. (6–9.1 m) <b>8530898</b></li> </ul>	<p>Adjustable height masts are adjusted easily using the integrated hand crank winch, or by using a power drill with the optional overload clutch accessory equipped.</p>

## 2. Choose from 4 interchangeable base options.

 <p>73.14 in. (1.86 m) 81 in. (2.06 m) 67 in. (1.7 m)</p> <p><b>Portable Counterweight Base*</b> With concrete fill <b>8530887</b> Without concrete <b>8530886</b></p>	 <p>55.75 in. (1.42 m) 19 in. (0.48 m)</p> <p><b>Permanent Floor Mounted Base</b> <b>8530888</b></p>	 <p>20 in. (0.51 m) 55.75 in. (1.42 m) 23.5 in. (0.6 m) 6.5 in. (0.17 m)</p> <p><b>Permanent Flush Mounted Base</b> <b>8530889</b></p>
---	--	--

\*Portable Counterweight Base optional leveling jacks sold separately

## 3. Choose your accessories.

					
<p><b>Confined Space &amp; Rescue Pulley Kit</b> <b>8530905</b></p> <p>Enables a rescue device to be mounted to the system. Includes mounting brackets and re-direct pulleys. Rescue devices sold separately.</p>	<p><b>Jack Stabilizing Kit</b> <b>8530907</b></p> <p>Designed to stabilize and level counterweight base systems on slightly uneven surfaces.</p>	<p><b>Smooth Surface Caster Kit</b> <b>8530908</b></p> <p>Allows counterweight base systems to be maneuvered into tight spaces on smooth surfaces.</p>	<p><b>Forklift Pocket Mast Transport Kit</b> <b>8530912</b></p> <p>Allows mast to be separated from the base and transported vertically using a forklift.</p>	<p><b>Overload Clutch</b> <b>8512936</b></p> <p>Required to raise and lower adjustable masts with a power drill. (Drill not included)</p>	<p><b>Counterweight Box Lifting Ring Kit</b> <b>8530777</b></p> <p>Allows counterweight box to be moved with overhead lifting equipment. Includes four rings per kit. One kit needed per counterweight system.</p>



**3M Fall Protection**  
3833 SALA Way  
Red Wing, MN 55066-5005 USA

Phone 800-328-6146  
Email 3MFallProtection@mmm.com  
Web 3M.com/FallProtection

**3M Canada**  
260 Export Blvd  
Mississauga, Ontario L5S 1Y9

Phone 800-387-7484  
Email 3MFallProtection-CA@mmm.com  
Web 3M.ca/FallProtection

Find the jib for your job at [3M.com/FallProtection](https://www.3m.com/FallProtection).

3M PSD products are for occupational use only.

3M, DBI-SALA and Flexiguard are trademarks of 3M. © 3M 2020. All rights reserved.  
70-0717-3763-2