



Roof Hatch Safety Rails



Meets OSHA and Cal-OSHA standards

The Roof Hatch Safety Rail by SafePro™ provides an ergonomically correct grip for upright egress and ingress through roof hatches. It exceeds OSHA standards CFR 29 1910.28 and CFR 29 1910.29, as well as Cal-OSHA §3212 (Floor Openings, Floor Holes, and Roofs) and §3209 (Standard Guidelines). The railing is 42 inches high when mounted per instructions on standard cap flashing.

Features and Benefits

- **Fall Protection:** Prevents falls through the roof hatch when open.
- **Self-Closing Gate:** Functions as two additional ladder rungs, eliminating the need for a ladder safety post.
- **Durability:** UV Yellow coating protects the finish better than standard powder coat finishes.
- **Customization:** Custom rail colors are available upon request.
- **Ease of Installation:** Can be installed by one person using basic tools.
- **Convenient Packaging:** Packaged for easy storage, shipment, and transport to the roof.
- **Gravity self-closing gate:** with spring assist.

Type of Installation

Suitable for new or retrofit permanent bolt-on mounting.
Features include:

- Right and left-handed integrated, prefabricated horizontal mounting rails
- Ergonomic forward-protruding stanchions
- Guard railings, mid rail sections, and rear stanchions
- Quick hang self-closing gate as per supplied installation instructions and mounting hardware
- Mounting System: Integrated stanchions with no fittings, pre-drilled mounting holes for 3/8" diameter through-bolts. Rail is mounted to extend cap flashing holes per SafePro™ installation

Materials

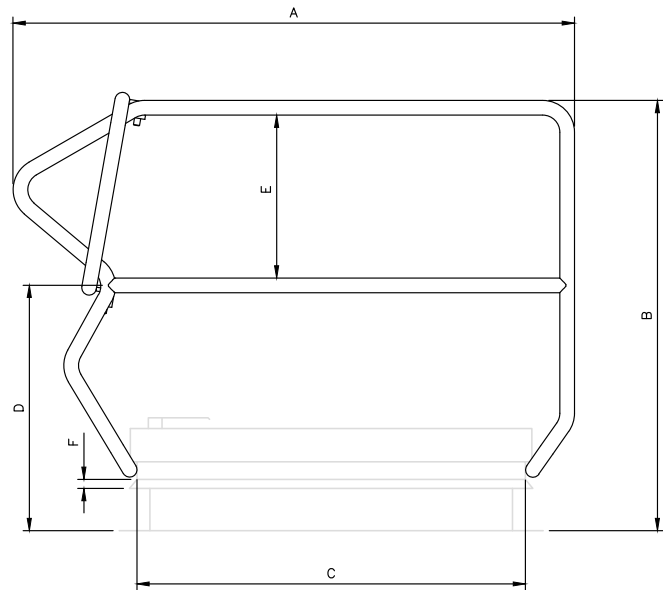
Pipe Mild Steel Tube, O.D. 1.5"

Finish Powder Coat Safety yellow or Hot Dip Galvanized

Plastic End Caps to Prevent Water Infiltration

Bolts S.S. Grade 2 with compatible nuts and washers

Pins Stainless Steel



Standard	Hatch Size	A	B	C	D	E	F
300250	30x36	57.85	46.5	41.25	26.25	17	1.25
300372	30x36 tb	61.85	46.5	45.25	26.25	17	1.25
300287	30x54	75.85	46.5	59.25	26.25	17	1.25
300373	30x54 tb	79.85	46.5	63.25	26.25	17	1.25
300288	30x96	117.85	46.5	101.25	26.25	17	1.25
300410	30x96 tb	121.85	46.5	105.25	26.25	17	1.25
300289	36x36	57.85	46.5	41.25	26.25	17	1.25
300374	36x36 tb	61.85	46.5	45.25	26.25	17	1.25
300291	36.30	51.85	46.5	35.25	26.25	17	1.25
300375	36x30 tb	55.85	46.5	39.25	26.25	17	1.25
300293	48x48	69.85	46.5	53.25	26.25	17	1.25
300376	48x48 tb	73.85	46.5	57.25	26.25	17	1.25

Hatch Size (Gate Side is leading dimension)	Standard	Thermally Broken
30" x 36"	300250	300372
30" x 54"	300287	300373
30" x 96"	300288	300410
36" x 36"	300289	300374
36" x 30"	300291	300375
48" x 48"	300293	300376
Custom Sizes available	300XXX	300XXX

1 year manufacturer's parts warranty

1 year limited finish warranty

Manufactured By:

SafePro Safety Products, Cleveland, Ohio, USA
US Patent Number: 8,726,577

Your Personal SafePro Contact
